

TRUCK BOXES

RIKI[®]

Commercial Grade
Truck Equipment





The most comprehensive line available anywhere.

When keeping your tools and supplies organized and safe is of utmost importance, you can depend on RKI. Founded in 1911 and still family owned and operated, RKI (formerly known as Rawson-Koenig) manufactures a wide variety of extremely durable, premium quality truck boxes that offer the best value in the truck equipment industry.

Our steel truck boxes are crafted from 14 gauge (minimum) steel with stainless steel hinges and full size stainless steel paddle latches, and come with a tough polyester powder coat finish available in black or white.

RKI aluminum truck boxes use bright diamond treadplate aluminum and have sealed gas shock lid supports. These are also available in black or white powder coat finish.

WHICH STORAGE SOLUTION IS RIGHT FOR YOU? FIND YOUR ANSWER IN OUR COMPREHENSIVE PRODUCT LINES:

RKI truck boxes are built to withstand tough conditions.

Truck boxes are available in a variety of designs, with side-opening doors, full-length lids and double lids.

Side truck boxes mount along the side of the bed rail with a spring assist lid opening for convenient access. Upper side truck boxes mount above the bed rail or fit any flat application.

Topper compartment boxes are ideal for general applications such as flatbeds or on top of a service body. They can be mounted on any flat surface and also come with spring assist lid openings for convenient access.

H-Series truck boxes are horizontally hinged. V-Series truck boxes are vertically hinged. Both are available in various sizes and door configurations with machine chain door stops and weather-resistant door seals.

Window grilles and ladder racks protect your rear window from accidental breakage and protect your truck's interior from sun damage, while allowing unobstructed visibility. The window grille also combines with our rear grilles to help support ladders and oversized building materials.

No matter which product you choose, we use only the finest materials and workmanship, and we stand by what we sell with the most comprehensive lifetime warranty in the industry.



STEEL TRUCK BOX FEATURES:

- 14 Gauge or Thicker Steel Construction
- High Security Stainless Steel Hinges
- Tough Polyester Powder Coat Finish
- Durable Spring Assist Lid Opening on all Top Opening Models
- Full-size Easy to Grab Stainless Steel Paddle Latches

ALUMINUM TRUCK BOX FEATURES:

- Rugged Bright Diamond Treadplate Aluminum Hull with Smooth Aluminum Bottom
- Sealed Gas Shock Lid Supports on all Top Opening Models
- Same Dependable Design and Durable Construction as our Steel Truck Boxes

SPRING ASSIST AND WEATHER TIGHT SEALS



GAS SHOCK LID SUPPORTS AND WEATHER TIGHT SEALS



FULL-SIZE EASY TO GRAB STAINLESS STEEL PADDLE LATCHES



TOUGH POLYESTER POWDER COAT FINISH



ST-SERIES - DOUBLE LID CROSSBOXES

Whether you're driving a mini pickup or a full-size truck, RKI ST-Series double lid crossboxes are a smart, weather-resistant storage solution.

- Twin, gull-wing type lids provide easy access from either side of truck - each lid operates independently
- Inside tracks support a sliding tray
- Mounts on the side rail of a pickup truck allowing plenty of room underneath for additional storage
- Steel crossboxes feature stainless steel hinges and full-size stainless steel paddle latches
- Aluminum crossboxes offer bright diamond treadplate and sealed gas shock lid supports
- All steel ST-Series crossboxes are available in black powder coat finish - just add a "B" to the end of the model number
- All aluminium ST-Series crossboxes are available in black or white powder coat finish - just add a "B" to the end of the model number for black or a "W" for white
- Tray ST is standard on all ST-Series crossboxes except ST56U which comes standard with tray SW

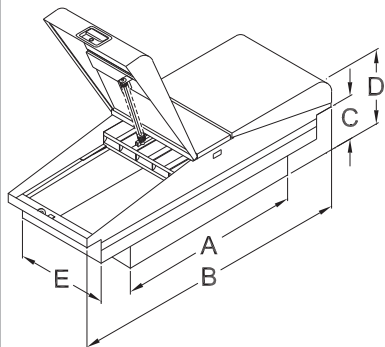


ST63A



ST63

Double Lid Crossbox Specifications



"D" dimension is with lid closed.

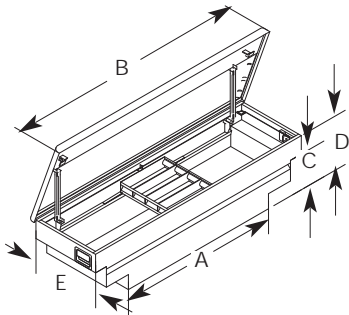
Model	A Length	B Overall Length	C Mount Height	D Overall Depth	E Width	Approximate Weight (lbs.)
STEEL						
ST56U	37 1/2"	62 1/2"	10 1/4"	17 7/16"	20"	152
ST63	60 1/2"	70"	10 1/4"	17 7/16"	20"	175
ST63W	60 1/2"	70"	10 1/4"	17 7/16"	30"	219
ST63WD	60 1/2"	70"	18 1/2"	25 11/16"	30"	248
ALUMINUM						
ST63A	60 1/2"	70 1/8"	10 1/4"	17 7/16 "	20"	88



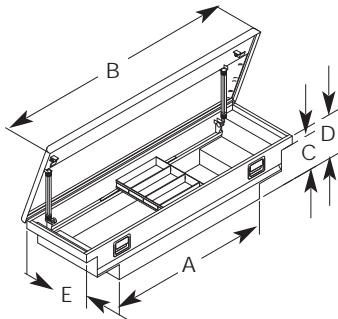
C63AB



C56LPAW



"D" dimension is with lid closed.



Single Lid Crossbox Specifications

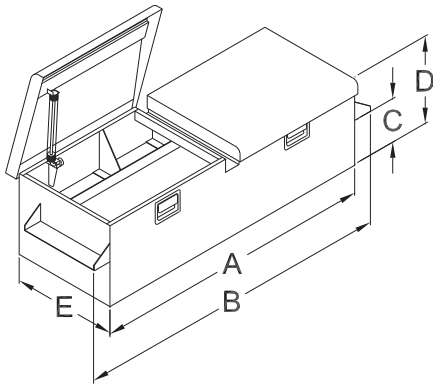
Model	A Length	B Overall Length	C Mount Height	D Overall Depth	E Width	Approximate Weight (lbs.)	Standard Tray
STEEL							
C56	37 1/2"	62 1/2"	10 1/4"	17 7/16"	20"	157	SW
C63	60 1/2"	71 1/4"	10 1/4"	17 7/16"	20"	178	ST
C63D	60 1/2"	71 1/4"	18 1/2"	25 11/16"	20"	205	ST
C63S*	60 1/2"	71 1/4"	7"	14 3/16"	20"	174	ST
C63T	70 1/2"	71 1/4"	N/A	7 3/16"	20"	137	N/A
C63W	60 1/2"	71 1/4"	10 1/4"	17 7/16"	30"	231	ST
C63WD	60 1/2"	71 1/4"	18 1/2"	25 11/16"	30"	255	ST
ALUMINUM							
C56A	37 3/4"	62 3/4"	10 3/8"	17 9/16"	20"	82	SW
C63A	60 1/2"	71 1/2"	10 1/4"	17 7/16"	20"	97	ST
C63DA	60 1/2"	71 1/2"	18 1/2"	25 11/16"	20"	104	ST
C63SA*	60 1/2"	71 1/2"	7"	14 3/16"	20"	92	ST
C63WA	60 1/2"	71 1/2"	10 1/4"	17 7/16"	30"	124	ST
C63WDA	60 1/2"	71 1/2"	18 1/2"	25 11/16"	30"	134	ST
C63WSA*	60 1/2"	71 1/2"	7"	14 3/16"	30"	116	ST
LOW PROFILE							
STEEL							
C56LP	37 1/2"	62 1/2"	10 1/4"	14 11/16"	20"	146	SW
C56LPD	37 1/2"	62 1/2"	13"	17 7/16"	20"	153	SW
C63LP	60 1/2"	71 1/4"	10 1/4"	14 11/16"	20"	170	SW
C63LPD	60 1/2"	71 1/4"	13"	17 7/16"	20"	180	SW
ALUMINUM							
C56LPA	37 3/4"	62 3/4"	10 1/8"	14 9/16"	20"	74	SW
C56LPDA	37 3/4"	62 3/4"	12 7/8"	17 5/16"	20"	77	SW
C63LPA	60 1/2"	71 1/2"	10 1/4"	14 11/16"	20"	86	SW
C63LPDA	60 1/2"	71 1/2"	13"	17 7/16"	20"	90	SW
C63LPNA	60 1/2"	71 1/2"	10 1/4"	14 11/16"	15 1/2"	70	SW

- All steel C-Series crossboxes are available in black powder coat finish - just add a "B" to the end of the model number
- All aluminum C-Series crossboxes are available in black or white powder coat finish - just add a "B" to the end of the model number for black or a "W" for white
- TRAY ST is standard on all C-Series crossboxes except C56, C56A, and all low profile models which come standard with TRAY SW
- * Accommodates most alternate fuel tanks

Note: All product specifications are general. Aftermarket accessories such as bedliners may affect the way your product fits. Some short bed pickups cannot accept a window grille and deep crossbox without interference with the wheel wells. Always measure your truck to assure proper fit.



Single or Double Lid Chest Style Crossbox Specifications						
Model	A Length	B Overall Length	C Mount Height	D Overall Depth	E Width	Approximate Weight (lbs.)
STEEL						
M45-1NM	45"	45 3/4"	N/A	19 3/16"	20"	131
M54-1	53 1/2"	62"	9 1/2"	16 11/16"	16"	129
M54-1NM	53 1/2"	54 1/4"	N/A	16 11/16"	16"	123
M54-2	53 1/2"	62"	9 1/2"	16 11/16"	16"	132
M54-2NM	53 1/2"	54 1/4"	N/A	16 11/16"	16"	126
M54U-1NM*	54"	54 3/4"	N/A	19 1/16"	20"	133
M58U-1NM*	58"	58 3/4"	N/A	19 1/16"	20"	144
M60-1	60"	70 1/2"	12"	19 3/16"	20"	178
M60-1NM	60"	60 3/4"	N/A	19 3/16"	20"	168
M60-2	60"	70 1/2"	12"	19 3/16"	20"	180
M60-2NM	60"	60 3/4"	N/A	19 3/16"	20"	171
M60FW-1NM*	60"	60 3/4"	N/A	19 3/16"	23"	164
M60SB-1NM*	48"	60 3/4"	N/A	19 3/16"	23"	172
MTB60-1NM*	60"	60 3/4"	N/A	24 3/16"	23"	182
ALUMINUM						
M36-1NMA	36"	37 3/16"	N/A	16 1/8"	16"	39
M45-1NMA	45"	46 3/16"	N/A	19 1/4"	20"	67
M54U-1NMA*	54"	55 3/16"	N/A	19 1/8"	20"	67
M58U-1NMA*	58"	59 3/16"	N/A	19 1/8"	20"	71
M60FW-1NMA*	60"	61 3/16"	N/A	19 1/4"	23"	86
M60SB-1NMA*	48"	61 3/16"	N/A	19 1/4"	23"	82
MTB60-1NMA*	60"	61 3/16"	N/A	24 1/4"	23"	91



- All steel M-Series truck boxes are available in black powder coat finish – just add a "B" to the end of the model number
- All aluminum M-Series truck boxes are available in black or white powder coat finish – just add a "B" to the end of the model number for black or a "W" for white
- "-1" Single Lid
- "-2" Double Lid
- "-1NM" Single Lid no mounts, for floor mounting
- "-2NM" Double Lid no mounts, for floor mounting
- * Sliding TRAY M Optional, please specify at time of order

S-SERIES - SIDE TRUCK BOXES

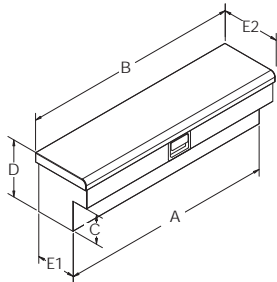
Top-opening side truck boxes, with optional trays available to help organize your tools and equipment.

- TRAY STS optional on all S-Series truck boxes
- TRAY SW optional on all SW Series
- TRAY SLPW optional on all SLPW Series
- NO TRAYS for SLP Series available
- All S-Series truck boxes have mounting brackets included
- Mounts on the side rail of your pickup truck, leaving truck bed open for maximum storage space
- Weather-resistant seals resist dirt and moisture for the most extreme working conditions



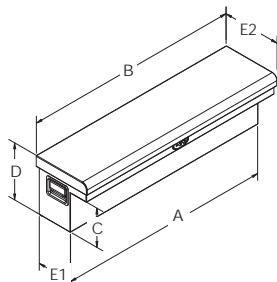
61SB

S-Series - Side Truck Box Specifications



"D" dimension is with lid closed.

* 2 lids.



"D" dimension is with lid closed.

Model	A Length	B Overall Length	C Mount Height	D Overall Depth	E1 - E2 Width	Approximate Weight (lbs.)	Application
STEEL							
43S	43"	43 3/4"	6"	13 3/16"	8" - 13 3/16"	75	All Pickups
43SW	43"	43 3/4"	6"	13 3/16"	13" - 18 3/16"	93	All Pickups
50S	50"	50 3/4"	6"	13 3/16"	8" - 13 3/16"	83	All Pickups
50SW	50"	50 3/4"	6"	13 3/16"	13" - 18 3/16"	102	All Pickups
61S	61"	61 3/4"	6"	13 3/16"	8" - 13 3/16"	99	All Pickups
61SW	61"	61 3/4"	6"	13 3/16"	13" - 18 3/16"	123	All Pickups
67S	67"	67 3/4"	6"	13 3/16"	8" - 13 3/16"	107	All Pickups
67SW	67"	67 3/4"	6"	13 3/16"	13" - 18 3/16"	133	All Pickups
88S*	88"	88 3/4"	6"	13 3/16"	8" - 13 3/16"	139	Full Size Long Bed
88SW*	88"	88 3/4"	6"	13 3/16"	13" - 18 3/16"	173	Full Size Long Bed
ALUMINUM							
43SA	43"	44"	6"	13 3/16"	8" - 13 11/16"	42	All Pickups
50SA	50"	51"	6"	13 3/16"	8" - 13 11/16"	45	All Pickups
61SA	61"	62"	6"	13 3/16"	8" - 13 11/16"	53	All Pickups
61SWA	61"	62"	6"	13 3/16"	13" - 18 11/16"	64	All Pickups
67SA	67"	68"	6"	13 3/16"	8" - 13 11/16"	57	All Pickups
67SWA	67"	68"	6"	13 3/16"	13" - 18 11/16"	71	All Pickups
LOW PROFILE							
STEEL							
43SLP	43"	43 3/4"	8 3/4"	13 3/16"	8" - 13 3/16"	69	All Pickups
48SLP	48"	48 3/4"	8 3/4"	13 3/16"	8" - 13 3/16"	74	All Pickups
61SLP	61"	61 3/4"	8 3/4"	13 3/16"	8" - 13 3/16"	92	All Pickups
65SLP	65"	65 3/4"	8 3/4"	13 3/16"	8" - 13 3/16"	97	All Pickups
ALUMINUM							
43SLPA	43"	44"	8 3/4"	13 3/16"	8" - 13 11/16"	35	All Pickups
48SLPA	48"	49"	8 3/4"	13 3/16"	8" - 13 11/16"	38	All Pickups
61SLPA	61"	62"	8 3/4"	13 3/16"	8" - 13 11/16"	46	All Pickups
65SLPA	65"	66"	8 3/4"	13 3/16"	8" - 13 11/16"	48	All Pickups
LOW PROFILE WIDE SIDE							
STEEL							
43SLPW	43"	43 3/4"	8 3/4"	13 3/16"	13" - 18 3/16"	99	All Pickups
48SLPW	48"	48 3/4"	8 3/4"	13 3/16"	13" - 18 3/16"	109	All Pickups
61SLPW	61"	61 3/4"	8 3/4"	13 3/16"	13" - 18 3/16"	129	All Pickups
65SLPW	65"	65 3/4"	8 3/4"	13 3/16"	13" - 18 3/16"	134	All Pickups
ALUMINUM							
43SLPWA	43"	44"	8 3/4"	13 3/16"	13" - 18 11/16"	48	All Pickups
48SLPWA	48"	49"	8 3/4"	13 3/16"	13" - 18 11/16"	54	All Pickups
61SLPWA	61"	62"	8 3/4"	13 3/16"	13" - 18 11/16"	65	All Pickups
65SLPWA	65"	66"	8 3/4"	13 3/16"	13" - 18 11/16"	70	All Pickups

- All steel and aluminum S-Series truck boxes are available in black powder coat finish – just add a "B" to the end of the model number.
- All aluminum S-Series truck boxes are available in black or white powder coat finish – just add a "B" to the end of the model number for black or a "W" for white.

STS-SERIES - SIDE TRUCK BOXES

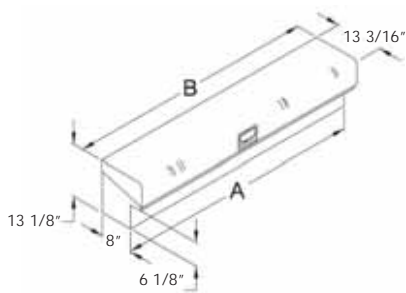
Angled lids and built in small parts tray on the STS-Series provides easy and secure access to the valuable tools of your trade.

- TRAY STS standard on all STS-Series truck boxes
- All STS-Series truck boxes have mounting brackets included



61STS

STS Series - Side Truck Box Specifications



Model	A Length	B Overall Length	Approximate Weight (lbs.)	Application
STEEL				
50STS	50"	50 3/4"	86	All Pickups
61STS	61"	61 3/4"	101	All Pickups
67STS	67"	67 3/4"	108	All Pickups

- All steel S and STS-Series truck boxes are available in black powder coat finish – just add a “B” to the end of the model number

RKI FLOOR DRAWERS - QUALITY PLUS MAXIMUM FLEXIBILITY IN 4 DRAWER SIZES



FD301024

- 14 ga. or thicker steel construction
- Full size easy to grab paddle latch
- Entire unit is fully covered with a tough polyester powder coat finish
- Drawers are easily removable and glide on heavy duty sealed roller bearings
- 360 degree sealing around drawer opening
- Anti slip strips are factory installed on top of unit for added traction
- Quick and easy installation – drawer removal is not necessary for mounting
- 1,200 lb. top load weight rating. (evenly dist.)

Model	A Length	B Height	C Depth	Weight (lbs.)
FD301024	30 1/4"	11 5/8"	24 5/8"	153
FD301024B	30 1/4"	11 5/8"	24 5/8"	153
FD301048	30 1/4"	11 5/8"	48 5/8"	248
FD301048B	30 1/4"	11 5/8"	48 5/8"	248
FD401024	40 1/4"	11 5/8"	24 5/8"	186
FD401024B	40 1/4"	11 5/8"	24 5/8"	186
FD401048	40 1/4"	11 5/8"	48 5/8"	290
FD401048B	40 1/4"	11 5/8"	48 5/8"	290

* All dimensions include drip rail and door.

- Drawers are slotted on 2" centers
- 2 full length dividers slotted on 2" centers
- Cross dividers may be easily added or removed for storing large or small items
 - 24" deep units include 6 cross dividers
 - 48" deep units include 12 cross dividers
- For optimal storage space, full length dividers may be removed

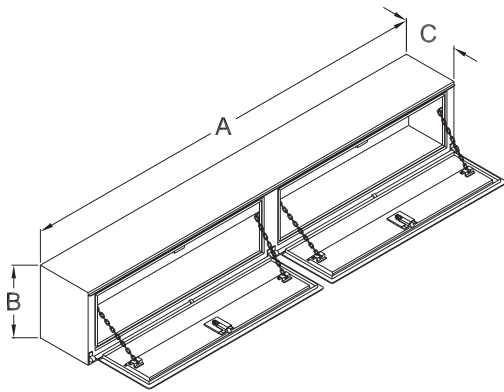
UPPER SIDE TRUCK BOXES

- US-Series truck boxes fit any flat (weld or bolt-on) application and can be used as pickup side boxes
- US-Series truck boxes have mounting brackets included
- US-Series truck boxes are designed with a drip rail, channel drain, full perimeter seal support channel and knife edge to compress the door seal, producing no seal interruption at the door latch
- Tray US optional



US78CB

Upper Side Truck Box Specifications



Model	A Length	B Height	C Depth	Number of Doors	Approximate Weight (lbs.)
STEEL					
US48C	48"	16 1/2"	12 1/2"	1	98
US72C	72"	16 1/2"	12 1/2"	2	138
US78C	78"	16 1/2"	12 1/2"	2	150
US90C	90"	16 1/2"	12 1/2"	2	168
US96C	96"	16 1/2"	12 1/2"	2	176
ALUMINUM					
US48A	48"	16 1/2"	12 1/2"	1	47
US72A	72"	16 1/2"	12 1/2"	2	68
US90A	90"	16 1/2"	12 1/2"	2	82
US96A	96"	16 1/2"	12 1/2"	2	87

- All steel US-Series truck boxes are available in black powder coat finish – just add a “B” to the end of the model number
- All aluminum US-Series truck boxes are available in black or white powder coat finish – just add a “B” to the end of the model number for black or a “W” for white

TOPPER COMPARTMENT BOXES

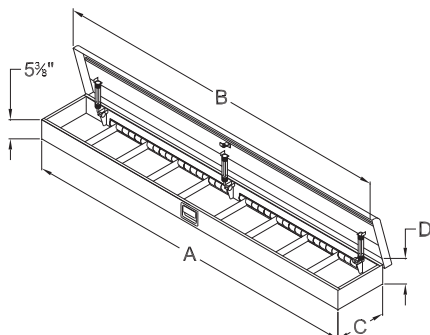
TOPPER COMPARTMENT BOXES

Complement your flatbed or service body with an RKI topper compartment box. These conveniently sized steel boxes are perfect for organizing and protecting parts, tools and equipment.



TC9614

Topper Compartment Box Specifications



“D” dimension is with lid closed.

Model	A Length	B Overall Length	C Width	D Overall Height	Approximate Weight (lbs.)
STEEL					
TC10814	108"	108 3/4"	14 1/2"	7 1/4"	165
TC10820	108"	108 3/4"	20"	7 1/4"	195
TC9614	96"	96 3/4"	14 1/2"	7 1/4"	149
TC9620	96"	96 3/4"	20"	7 1/4"	176

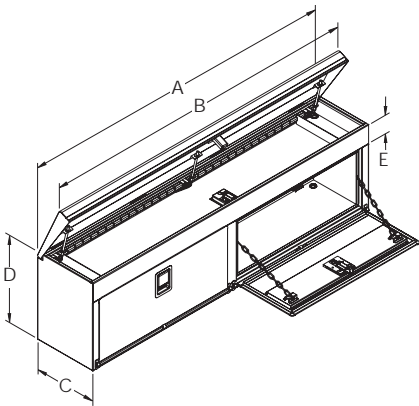
- All TC-Series boxes are available in black powder coat finish – just add a “B” to the end of the model number

UST-SERIES TRUCK BOXES

Ideal for welding trucks, flatbeds, and equipment trailers.

- UST-Series truck boxes fit any flat (weld or bolt-on) application
- 8 dividers included for top compartment
- Lower compartments designed with a drip rail, channel drain, full perimeter seal support channel and knife edge to compress the door seal, producing no seal interruption at the door latch
- Tray US optional

Top-Opening Upper Side Truck Box Specifications



"D" dimension is with lid closed.

Model	A Length	B Overall Length	C Width	D Overall Height	E Top Tray Height	Number of Doors	Approximate Weight (lbs.)
STEEL							
UST48C	48"	48 1/2"	14 1/2"	20 1/8"	4 1/2"	1	151
UST60C	60"	60 1/2"	14 1/2"	20 1/8"	4 1/2"	2	188
UST72C	72"	72 1/2"	14 1/2"	20 1/8"	4 1/2"	2	226
UST90C	90"	90 1/2"	14 1/2"	20 1/8"	4 1/2"	2	261
UST96C	96"	96 1/2"	14 1/2"	20 1/8"	4 1/2"	2	287
ALUMINUM							
UST72A	72"	73"	14 1/2"	20"	4 1/2"	2	107
UST96A	96"	97"	14 1/2"	20"	4 1/2"	2	142



UST96C

- All steel UST-Series truck boxes are available in black powder coat finish – just add a "B" to the end of the model number
- All aluminum UST-Series truck boxes are available in black or white powder coat finish – just add a "B" to the end of the model number for black or a "W" for white

H-SERIES TRUCK BOXES

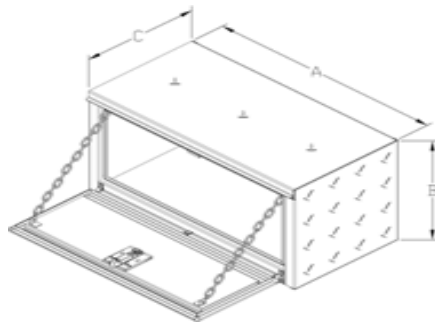
Arrange your storage solution exactly as your business requires with this flexible and scalable family of truck boxes.

- Horizontally hinged H-Series truck boxes give you a full view of the entire box's contents when its front door is opened
- Can be bolted or welded together on the truck bed in a variety of arrangements
- Designed with a drip rail, channel drain, full perimeter seal support channel and knife edge to compress the door seal, producing no seal interruption at the door latch
- Combine with V-Series truck boxes for the most comprehensive storage solutions anywhere



H361818A

H-Series Truck Box Specifications



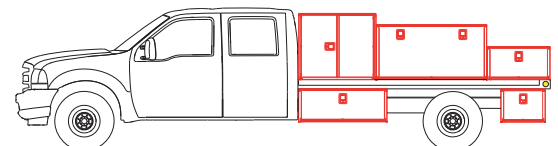
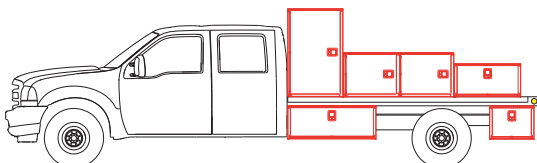
H-SERIES MODEL NUMBER DESIGNATION

H-Series truck boxes are 14 gauge boxes with 14 gauge double panel doors. They are horizontally hinged with the A, B, and C dimensions called out in that order after the hinge designation. H-Series boxes with 2 doors are designated by "-2" after the model number. 12 gauge boxes with 14 gauge doors have a "12" in front of the model number. 10 gauge boxes have a "10" in front of the model number. 10 gauge boxes have 3-point, T-handle latches. All H-Series steel truck boxes come in a black polyester powder coat finish.

	Model	A Length	B Height	C Depth	Number of Doors	Approximate Weight (lbs.)
STEEL						
10 Gauge Boxes, 14 Gauge Reinforced Door (3-Point T-Handle)	10H241818	24"	18"	18"	1	105
	10H361818	36"	18"	18"	1	141
	10H481818	48"	18"	18"	1	176
	10H601818	60"	18"	18"	1	209
12 Gauge Boxes, 14 Gauge Double Panel Door	12H241818	24"	18"	18"	1	76
	12H361818	36"	18"	18"	1	109
	12H481818	48"	18"	18"	1	140
	12H601818	60"	18"	18"	1	166
14 Gauge Boxes, 14 Gauge Double Panel Door	H181818	18"	18"	18"	1	58
	H241412	24"	14"	12"	1	47
	H241416	24"	14"	16"	1	54
	H241818	24"	18"	18"	1	64
	H301412	30"	14"	12"	1	58
	H301416	30"	14"	16"	1	63
	H301612	30"	16"	12"	1	61
	H301818	30"	18"	18"	1	77
	H361416	36"	14"	16"	1	73
	H361612	36"	16"	12"	1	70
	H361818	36"	18"	18"	1	87
	H421818	42"	18"	18"	1	99
H481818	48"	18"	18"	1	110	
H601818	60"	18"	18"	1	133	
ALUMINUM						
.100 Aluminum Treadplate Boxes, .090 Aluminum Reinforced Door	H241818A	24"	18"	18"	1	38
	H361818A	36"	18"	18"	1	51
	H481818A	48"	18"	18"	1	64
	H601818A	60"	18"	18"	1	77

H & V-SERIES TRUCK BOX TYPICAL APPLICATIONS

These drawings reflect the versatility of our H and V-Series truck boxes. Drawings show H and V-Series boxes in combination.



- For no additional charge, H-Series truck boxes are available in a white powder coat finish – just order "PAINTCSTWHT" with your H-Series truck box
- All aluminum H-Series truck boxes are available in black or white powder coat finish – just add a "B" to the end of the model number for black or a "W" for white

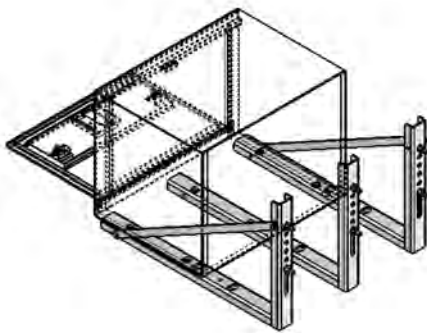
ADDITIONAL H-SERIES TRUCK BOXES

The models listed on this page are not always carried in stock. Please expect longer lead times. Having these as standard items allows us to offer you what is custom to other manufacturers.

- RKI recommends mounting all underbody truck boxes with saddle type brackets
- For no additional charge, H-Series truck boxes are available in a white powder coat finish – just order “PAINTCSTWHT” with your H-Series truck box



H-Series Truck Box Specifications



H-SERIES MOUNTING BRACKETS

H-Series Mounting Brackets are available in 3 lengths measured from the outside frame to the outside edge of the box. The available sizes are: 19", 25", and 31".

Model	A Length	B Height	C Depth	Number of Doors	Approximate Weight (lbs.)
STEEL					
H241824•	24"	18"	24"	1	77
H242418•	24"	24"	18"	1	80
H242424•	24"	24"	24"	1	91
H301824•	30"	18"	24"	1	90
H302418•	30"	24"	18"	1	94
H302424•	30"	24"	24"	1	105
H361824•	36"	18"	24"	1	104
H362418•	36"	24"	18"	1	105
H362424•	36"	24"	24"	1	120
H421824•	42"	18"	24"	1	118
H422418•	42"	24"	18"	1	121
H422424•	42"	24"	24"	1	135
H481824•	48"	18"	24"	1	133
H482418•	48"	24"	18"	1	131
H482424•	48"	24"	24"	1	149
H561818•	56"	18"	18"	1	125
H561818-2	56"	18"	18"	2	129
H561824•	56"	18"	24"	1	149
H561824-2	56"	18"	24"	2	152
H562418•	56"	24"	18"	1	149
H562418-2	56"	24"	18"	2	152
H562424•	56"	24"	24"	1	170
H562424-2	56"	24"	24"	2	173
H601818-2	60"	18"	18"	2	137
H601824•	60"	18"	24"	1	156
H601824-2	60"	18"	24"	2	159
H602418-2	60"	24"	18"	2	161
H602424-2	60"	24"	24"	2	183
H721818•*	72"	18"	18"	1	159
H721818-2	72"	18"	18"	2	160
H721824•*	72"	18"	24"	1	185
H721824-2	72"	18"	24"	2	185
H841818-2	84"	18"	18"	2	176
H841824-2	84"	18"	24"	2	210
H961818-2	96"	18"	18"	2	200
H961824-2	96"	18"	24"	2	237

- Shelf strips not included
 - Adjustable Shelf option available, except on -2 models
 - * Single door with 2 paddle latches on 40" centers
- Mounting Brackets are available as an option

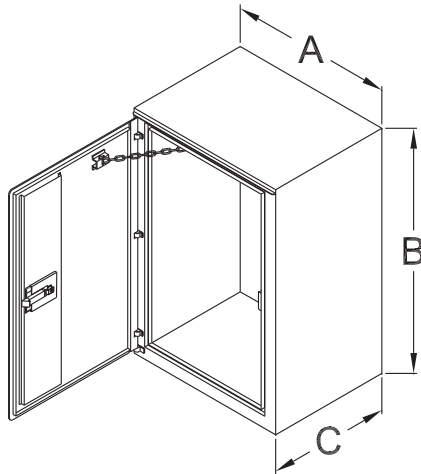
V-SERIES TRUCK BOXES

Versatile and vertically hinged RKI truck boxes let you configure a solution to protect your tools and equipment. You can even combine them with our H-Series for superior storage options.

- Can be bolted or welded together on the truck bed in a variety of arrangements.
- Designed with a drip rail, channel drain, full perimeter seal support channel and knife edge to compress the door seal, producing no seal interruption at the door latch.
- All V-Series truck boxes are available in white powder coat finish at no additional cost - use special order code "PAINTCSTWHT" to designate white powder coat finish.



Vertically Hinged Truck Box Specifications



V-SERIES TRUCK BOX MODEL NUMBER DESIGNATION

V-Series truck boxes are 14 gauge with 14 gauge double panel doors. They are vertically hinged with the A, B, and C dimensions called out in that order after the hinge designation. V-Series truck boxes with two doors are designated by "-2" after the model number. V-Series truck boxes with two doors that overlap without a center door facing are designated with a "-20". Single or two door "-2" V-Series truck boxes are left hand hinged. Right hand hinged doors are available as an option. V-Series truck boxes come in a black polyester powder coat finish.

	A	B	C		
Model	Length	Height	Depth	Number of Doors	Approximate Weight (lbs.)
STEEL					
V243618•	24"	36"	18"	1	104
V243624•	24"	36"	24"	1	123
V246318-20•	24"	63"	18"	2	192
V246324-20•	24"	63"	24"	2	208
V303618•	30"	36"	18"	1	127
V303624•	30"	36"	24"	1	144
V306318-20•	30"	63"	18"	2	203
V306324-20•	30"	63"	24"	2	233
V363618•	36"	36"	18"	1	141
V363624•	36"	36"	24"	1	161
V366318-20•	36"	63"	18"	2	227
V366324-20•	36"	63"	24"	2	256
V423618-20•	42"	36"	18"	2	165
V423624-20•	42"	36"	24"	2	188
V426318-20•	42"	63"	18"	2	251
V426324-20•	42"	63"	24"	2	275
V483618-20•	48"	36"	18"	2	192
V483624-20•	48"	36"	24"	2	217
V486318-20•	48"	63"	18"	2	275
V486324-20•	48"	63"	24"	2	325
V562418-2	56"	24"	18"	2	155
V562424-2	56"	24"	24"	2	178
V602418-2	60"	24"	18"	2	159
V602424-2	60"	24"	24"	2	187
V602424-20•	60"	24"	24"	2	230
V603618-20•	60"	36"	18"	2	219
V603624-20•	60"	36"	24"	2	247

• Shelf option available

WINDOW GRILLES AND RACKS

RKI Window Grilles protect your rear window from accidental breakage and protect your truck's interior from sun damage, while allowing unobstructed visibility.

The Window Grille combines with our Rear Grille (to mount at rear of the pickup bed).

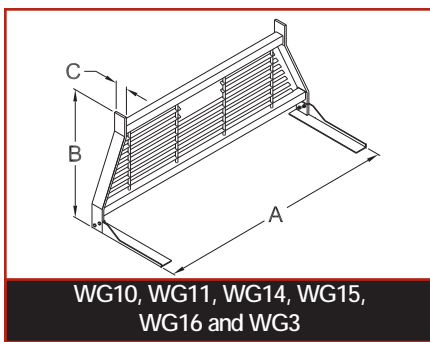
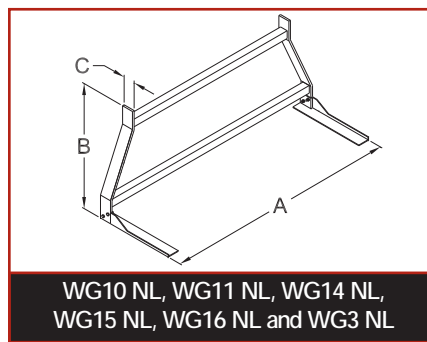
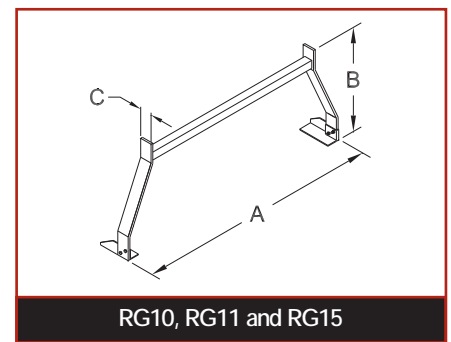
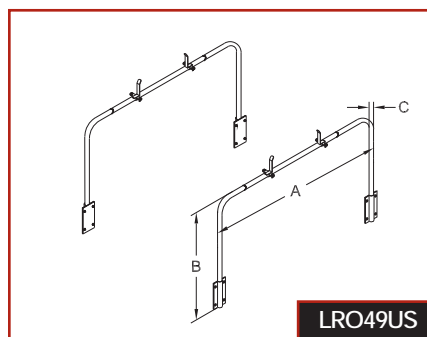
RKI Window Grilles and Ladder Racks are built of heavy duty steel with polyester powder coat finish to provide many years of dependable service.


WG3B

Window Grille and Rack Specifications					
Model	A Length	B Height	C Depth	Approximate Weight (lbs.)	Application
STEEL					
LRO49US	62"	32"	1"	56	Bow Type Ladder Rack for Wide Bed with "US" boxes installed
RG10*	66 3/4"	28"	3"	47	Dodge Ram, "Classic" Chevy Silverado & GMC Sierra, & Nissan Titan
RG11*	66 3/4"	29 3/8"	3"	47	Ford Super Duty
RG15*	70 5/8"	26 3/8"	3"	47	2004 & later Ford F-150, 2007 & later "New Style" Silverado & Sierra & 2013 & later Toyota Tundra
WG10	71"	28"	3"	88	Dodge Ram, "Classic" Chevy Silverado & GMC Sierra, & Nissan Titan
WG10 NL	71"	28"	3"	64	Dodge Ram, "Classic" Chevy Silverado & GMC Sierra, & Nissan Titan
WG11	71"	29 3/8"	3"	88	Ford Super Duty
WG11 NL	71"	29 3/8"	3"	65	Ford Super Duty
WG14	59 7/8"	27"	3"	78	Ford Ranger
WG14 NL	59 7/8"	27"	3"	57	Ford Ranger
WG15	71"	26 3/8"	3"	83	2004 & later Ford F-150, 2007 & later "New Style" Silverado & Sierra & 2013 & later Toyota Tundra
WG15 NL	71"	26 3/8"	3"	62	2004 & later Ford F-150, 2007 & later "New Style" Silverado & Sierra & 2013 & later Toyota Tundra
WG16	63 3/16"	23 13/16"	3"	74	2015 & later Chevy Colorado/GMC Canyon
WG16 NL	63 3/16"	23 13/16"	3"	58	2015 & later Chevy Colorado/GMC Canyon
WG3	59 3/8"	25 3/8"	3"	80	2012 & earlier Chevy Colorado/GMC Canyon, 2011 & earlier Dodge Dakota, Toyota Tacoma, Nissan Frontier
WG3 NL	59 3/8"	25 3/8"	3"	58	2012 & earlier Chevy Colorado/GMC Canyon, 2011 & earlier Dodge Dakota, Toyota Tacoma, Nissan Frontier

* Will not work in conjunction with some S and STS-Series truck boxes. All LRO, RG and WG products are available in black powder coat finish - just add "a B" to the end of the model number.

NOTE: Rear grilles are designed to mount at the end of the pickup bed.


**WG10, WG11, WG14, WG15,
WG16 and WG3**

**WG10 NL, WG11 NL, WG14 NL,
WG15 NL, WG16 NL and WG3 NL**

RG10, RG11 and RG15

LRO49US

Note: All product specifications are general. Aftermarket accessories such as bedliners may affect the way your product fits. Some short bed pickups cannot accept a window grille and deep crossbox without interference with the wheel wells. Always measure your truck to assure proper fit.

Aluminum Accessory Caps					
Model	A Length	B Height	C Depth	Approximate Weight (lbs.)	Application
ALUMINUM					
RG10 CAP	53 1/8"	2 3/16"	2 1/4"	5	RG10 and RG11 Rear Grilles
WG10 CAP	57"	2 3/16"	2 1/4"	5	WG10, WG11 and WG15 Window Grilles and RG15 Rear Grille
WG14 CAP	46"	2 3/16"	2 1/4"	5	WG14 Window Grille
WG3 CAP	44 1/4"	2 3/16"	2 1/4"	5	WG3 Window Grille

Lighting Options for Window Grilles	
Model	Description
WGLITEMNT	LED light kit for window grilles (pair)



Strobe Light Mounts	
Model	Description
STRBMNTRCT	Bracket to attach to window grille for mounting rectangular strobe light
STRBMNTRND	Bracket to attach to window grille for mounting rectangular strobe light
STRBCTWG	Bracket to attach to window grille light kit for rectangular strobe light (pair)
STRBRNDWG	Bracket to attach to window grille light kit for round strobe light (single)

* The window grille light kit and strobe light brackets are also available in black powder coat finish just add a "B" to the end of the model number.



Truck Box Trays		All trays are steel with a polyester powder coat finish			
Model	Length	Height	Width	Application	
TRAY FLDOUT	28 1/8"	10 3/8"	10 15/16"	Tray for all US and UST Series	
TRAY M	22 1/4"	2 3/8"	19 1/4"	Tray for M54U, M58U, M60FW, M60SB & MTB60	
TRAY SLPW	12 3/8"	2 3/8"	11 5/8"	Tray for all SLPW	
TRAY ST	29 1/4"	2 3/8"	19 1/4"	Tray for all full size ST and C Series	
TRAY STS	19 1/2"	2 3/8"	8 7/8"	Tray for all S and STS Series	
TRAY SW	19 1/2"	2 3/8"	14 3/4"	Tray for all SW and Compact ST and C Series	
TRAY US	41 1/2"	2 3/8"	8 7/8"	Tray for all US and UST Series	



www.rkius.com

RKI, Inc.
2301 Central Parkway
Houston, Texas 77092
713.688.4414
FAX: 713.688.8982

Other RKI Quality Products

- Canopy Bodies
- Custom Service Bodies
- Line Bodies
- Service Bodies
- Truck Mount Cranes
- Winches

RKI manufactures special truck boxes - consult your nearest dealer for custom sizes.

IN ORDER TO PROVIDE YOU WITH THE MOST INNOVATIVE AND PROGRESSIVE EQUIPMENT, ALL PRICES, SPECIFICATIONS, AND DESIGNS ARE SUBJECT TO CHANGE WITHOUT NOTICE.